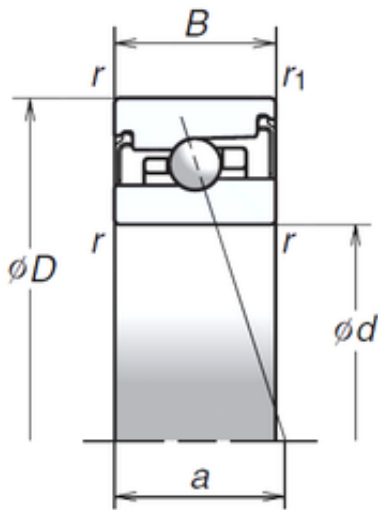




ISO Bearing Rolamentos do Brasil Ltda.



55 mm x 90 mm x 22 mm NSK 55BER20HV1V
Principais rolamentos de espinhas

Bearing No. 55BER20HV1V

Size	55x90x22 mm
Bore Diameter	55 mm
Outer Diameter	90 mm
Width	22 mm
d	55 mm
D	90 mm
B	22 mm
C	22 mm
Angle (°)	25 °
a	27,9 mm
r min.	1,1 mm
r1 min.	0,6 mm
Weight	0,48 Kg
Basic dynamic load rating (C)	14,4 kN
Basic static load rating (C0)	12 kN
(Grease) Lubrication Speed	22 100 r/min

55BER20HV1V Bearing 2D drawings and 3D CAD models